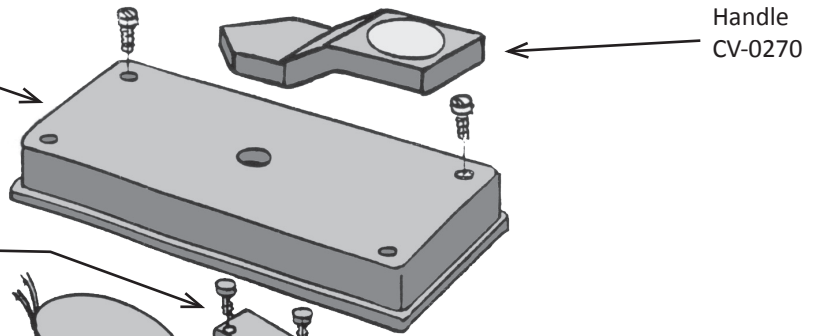


HM4000 Flowverter Valve

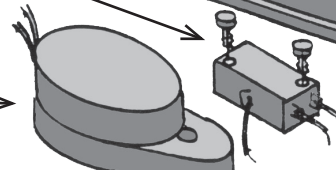
Disassembly And Exploded Parts View

1. Remove Cover
CV-0210

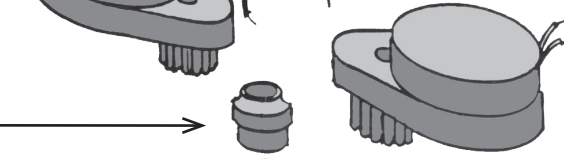
Check for presence of O-Ring inside top cover when re-assembling. If missing, check top of shaft and replace in cover groove.



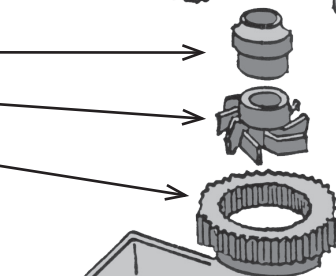
2. Remove Switch
CV-0280



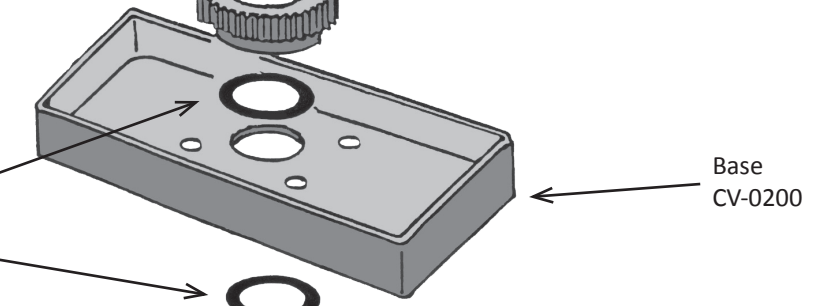
3. Remove Both Motors
CV-0220



4. Lift Out Three Parts
Cam (CV-0255)
Clutch (CV-0250)
Gear (CV-0240)

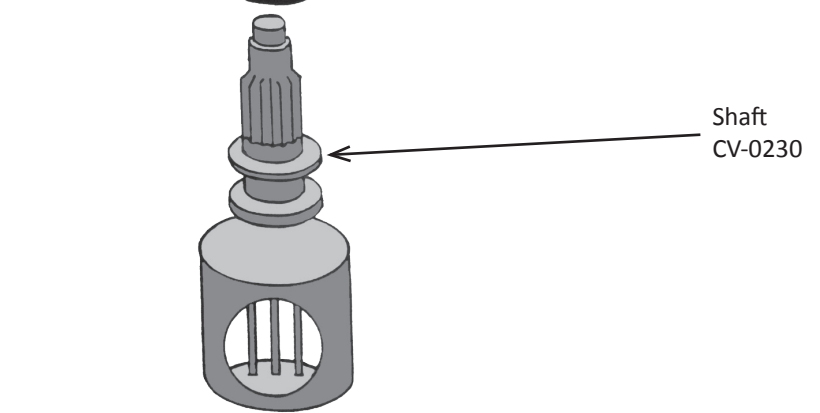


5. Remove Housing Together
With The Shaft Assembly



Note That There Will Be Two O-Rings On The Shaft Assembly. One Will Be Above The Housing And One Will Be Below The Housing

6. Push Shaft Out Of
The Grey Housing



7. Replace With New Shaft
And Two O-Rings
Rebuild Kit CV-0232

8. Reassemble In Reverse Order
Of Disassembly

