



Steca TA VM1

Flow meter

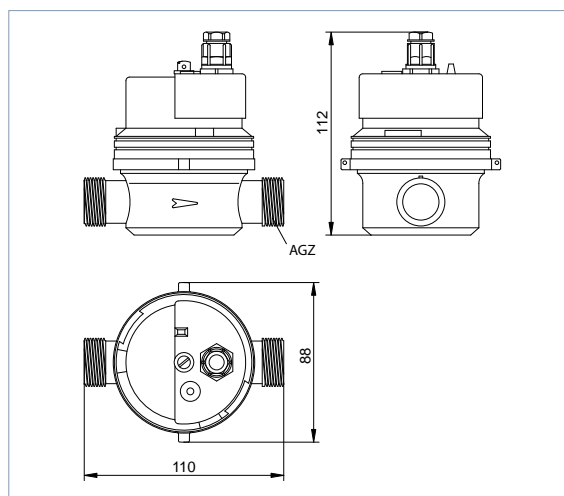
The Steca TA VM1 flow meter allows flow rate measurement of the water/water-glycol heat transfer fluid.

A contact maker (e.g. reed relay) is used to send a pulse to the solar thermal controller every time a defined quantity of fluid has passed through the system (e.g. 1 litre = 1 impulse). At the same time, the controller determines the temperature difference between the supply and return temperatures and then calculates the heat quantity generated, by using this difference, the flow rate and the specific material characteristics of the heat transfer fluid. The heat quantity calculated is then finally displayed by the controller in kWh.



Product features

- Installation and connection dimensions according to DIN ISO 4064
- For horizontal and vertical installation
- The series is equipped with special carbide bearings as a single-jet impeller counter in dry-running design with magnetic coupling and has been conceived according to the latest technology
- To avoid disturbances caused by unclean water, only the impeller sits in the fluid path
- The roller counter is evacuated and sealed against dust and water to avoid fogging of the glass pane under extreme temperature fluctuations
- The counter can be rotated for easier reading



	TA VM1
Pulse rate	1 l/impulse
Nominal diameter	DN 15
Max. operating pressure (according DIN 2401)	16 bar
Max. operating temperature	90 °C
Nominal flow	1.5 m ³ /h
Max. flow	3 m ³ /h
Connecting threads on meter body according ISO 228/1 (AGZ - Inch)	G 3/4 B
Connecting threads of couplings according DIN 2999 (AGV - Inch)	R 1/2
Contact loading (without series resistor)	24 V
Cable length	3 m
Dimensions (X x Y x Z)	110 x 88 x 112 mm
Weight	0.8 kg

Technical data at 25 °C / 77 °F

Pressure loss curve

