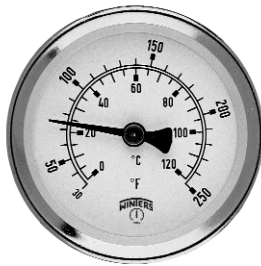
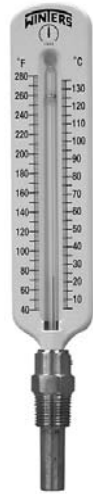


TSW Hot Water Thermometer



Dial Type



Scale Type

Description & Features:

- An economical and accurate way to measure air or water temperatures
- Separable thermowell
- Bi-metallic element (dial type only)
- Dual scale (°F & °C)
- Dial type or vertical scale type
- Easy to install
- 1/2" NPT process connection
- 5 year warranty

Applications:

- Hot water lines, boilers and hydronic heating

Specifications	Dial Type
Dial	2" (50mm), 2.5" (63mm) aluminum dial, painted white with black and red markings
Case	Aluminum
Lens	Glass
Ring	Steel, chrome plated
Thermowell	Brass (HPB59-1), 1/2" NPT standard, separable
Stem	Brass
Sensing Element	Bi-metallic element
Pointer	Aluminum, painted black
Recalibrator	Standard
Accuracy	±1%

Specifications	Scale Type
Scale/Case	8" (200mm) scale with steel case, painted white with black markings
Tube	#N-16 glass
Sensing Liquid	Organic fluid
Thermowell	Brass (HPB59-1), 1/2" NPT standard, separable
Accuracy	±1%

Order Codes Dial Type (products in bold are normally in stock)

Dial	Range	Connection	Code
2" (50mm)	30°F to 250°F & 0°C to 120°C	1/2" NPT centre back	TSW174-2
2.5" (63mm)	30°F to 250°F & 0°C to 120°C	1/2" NPT centre back	TSW174
		3/4" Sweatwell	TSW174-SW

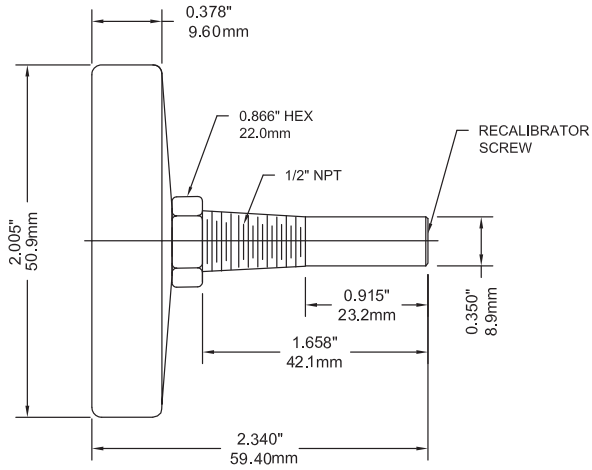
Other ranges, stem lengths, dial and connection sizes available upon request.

Order Codes Scale Type (products in bold are normally in stock)

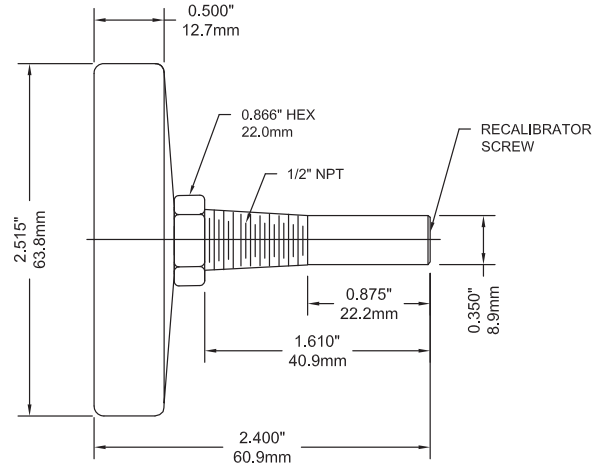
Scale	Range	Connection	Code
8" (200mm)	40°F to 280°F & 5°C to 135°C	Straight	TSW172
		Angle	TSW173

Other ranges and connection sizes available upon request.

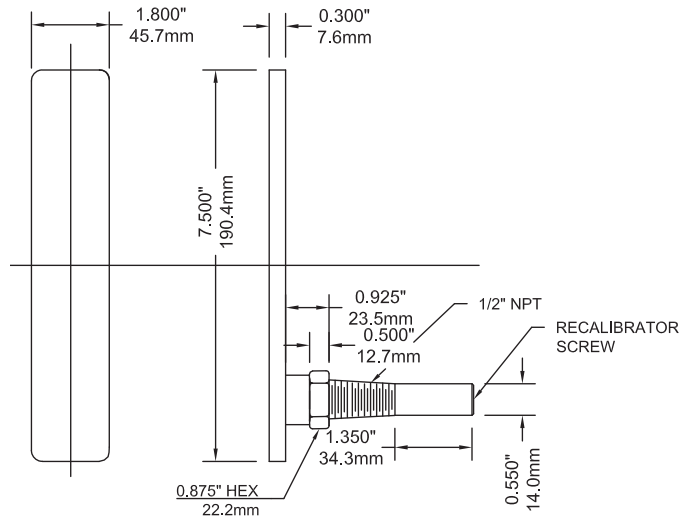
2" Dial Type



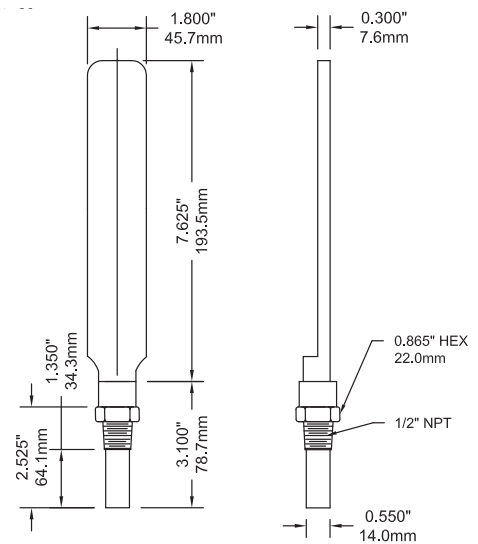
2.5" Dial Type



Scale Type



Back Connection



Bottom Connection